

# NEW Mori Seiki 10,000 RPM Live Tools

For NLX1500 and NLX2000

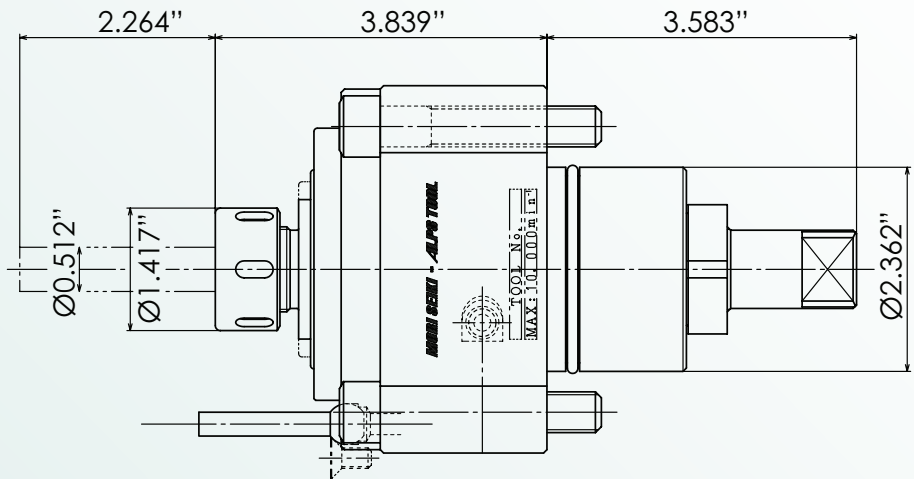
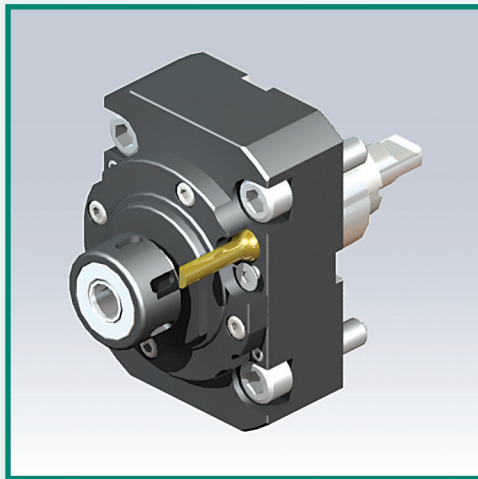
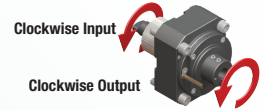
# DMG MORI

QUALIFIED PRODUCTS

ER20 OD Drill/Milling Unit  
MNL12-ER20X-HS

**\$3,664.40 List Price**

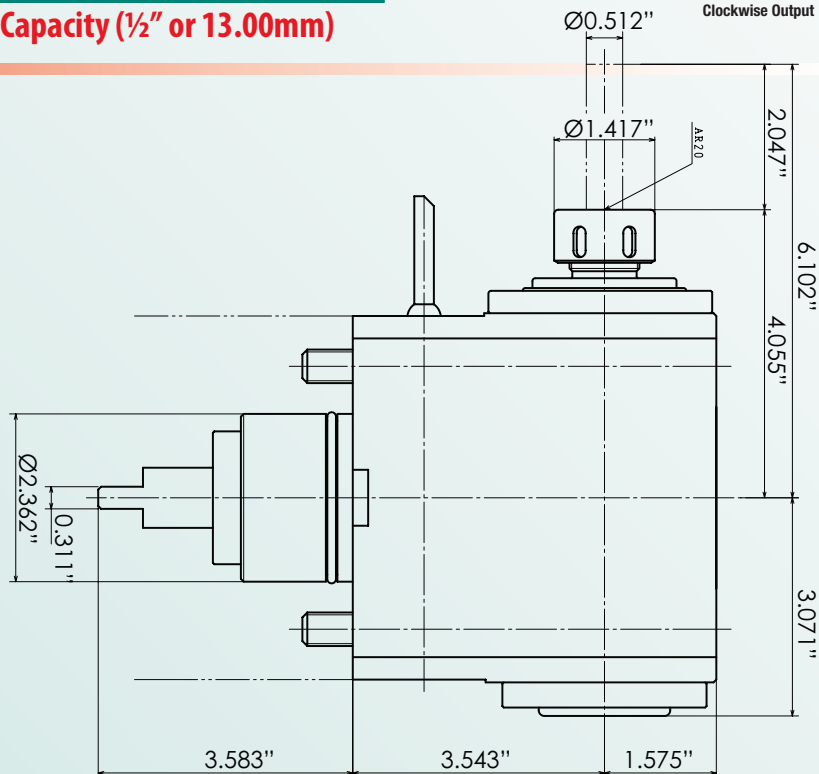
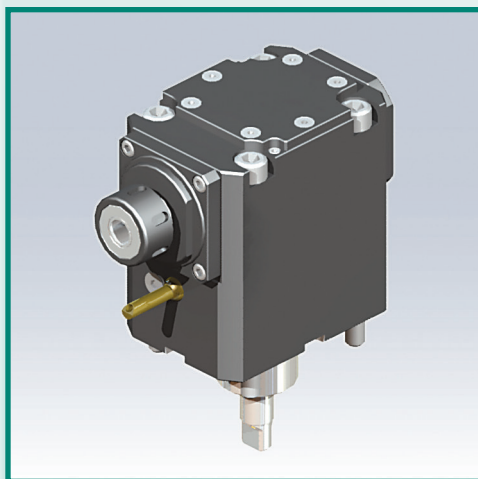
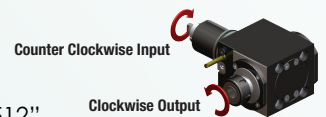
MORI PART# T32206 (10K RPM) - ER20 Max Capacity (1/2" or 13.00mm)



ER20 Face Drill/Milling Unit  
MNL12-ER20Z-HS

**\$6,045.40 List Price**

MORI PART# T32207 (10K RPM) - ER20 Max Capacity (1/2" or 13.00mm)



Contact us to place  
your order now!

