

MMC Collet Chuck Features

Milling Chucks

Shrink Fit Holders

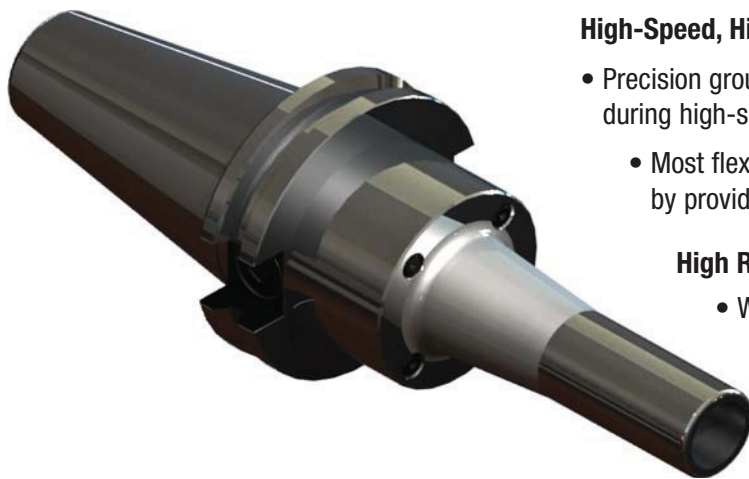
SK Collet Chucks

VC Collet Chucks

MMC Collet Chucks

ACCURACY in Small Diameter Cutting

The Mini-Mini Chuck (MMC) features a slim and compact body for precision machining with small diameter tools (up to 0.5"). It is an ideal toolholder for high-speed machining applications.



High-Speed, High-Precision: Max. 30,000 RPM (balanced at G2.5)

- Precision ground and pre-balanced, ensuring accuracy and reliability during high-speed operations.
- Most flexible Collet Chuck for Die Mold, Aerospace, and Medical parts by providing both clearance and accuracy.

High Runout Accuracy:

- Within 0.00012" at 4 times the diameter of the cutting tool!

Coolant-thru Capabilities:

- Coolant-thru tool as standard
- Periphery coolant for milling

Easy-to-use draw-in collet clamping mechanism: clamp/unclamp just with a wrench!

Standard type Mini-Mini Collet Chuck



"A" type Mini-Mini Collet Chuck



Wrench supplied with holder.

Slim, Compact Nose and Front Clamping

No collet nut required! An internal draw-in collet clamping mechanism results in strong, high-precision gripping and allows for a slim nose that can access hard to reach areas.

Slim and compact nose with strong gripping at nose

MMC 4: Ø 15mm

MMC 8: Ø 20mm

MMC 12: Ø 30mm